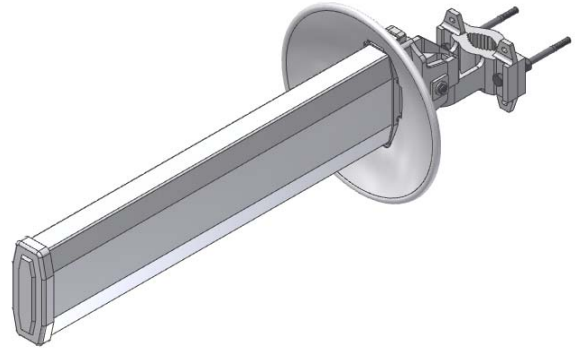


## PIW-SEYG-12G

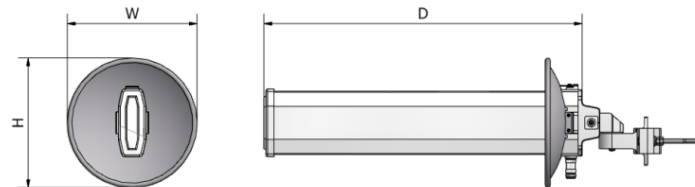
### i. Electrical Specification

|                     |                 |                |
|---------------------|-----------------|----------------|
| Frequency Range     | 1750 ~ 2390 MHz |                |
| Polarization        | Vertical        |                |
| Band Width          | 640 MHz         |                |
| Gain                | ≥ 13 dBi        |                |
| Beam width          | Horizontal      | 45 ± 5°        |
|                     | Vertical        | 40 ± 5°        |
| F/B Ratio           | Horizontal      | ≥ 25 dB @ 180° |
|                     | Vertical        | ≥ 20 dB @ 180° |
| VSWR                | 1 : 1.4         |                |
| Impedance           | 50 Ω            |                |
| IMD (7th)           | -150 dBc        |                |
| Sidelobe            | 10 dB           |                |
| Maximum input power | 50 W            |                |

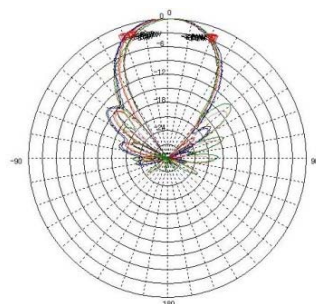


### ii. Mechanical Specification

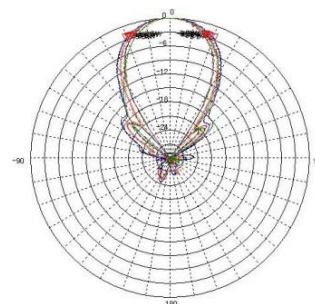
|                                 |                      |  |
|---------------------------------|----------------------|--|
| Radom Dimension ( H x W x D )   | 200 x 200 x 603 (mm) |  |
| Weight ( Include bracket )      | ≤ 2 kg               |  |
| Connector Type                  | N-Female             |  |
| Withstand Wind Pressure         | 60 m/sec             |  |
| Radome Material                 | ASA                  |  |
| Radome Color                    | Cool Gray 1C         |  |
| Mechanical Down Tilt            | Up, Down ± 30°       |  |
|                                 | Left, Right ± 30°    |  |
| Temperature                     | -40 °C ~ 70 °C       |  |
| Packing Size ( H x W x D ) 5SET | -                    |  |
| Packing Weight                  | -                    |  |



### iii. Radiation Pattern



Horizontal Pattern



Vertical Pattern